

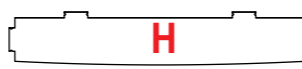
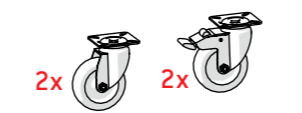
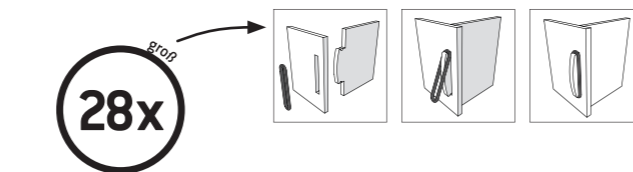
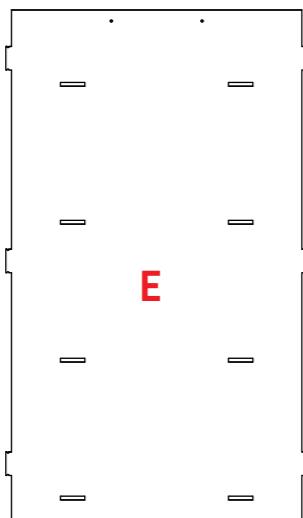
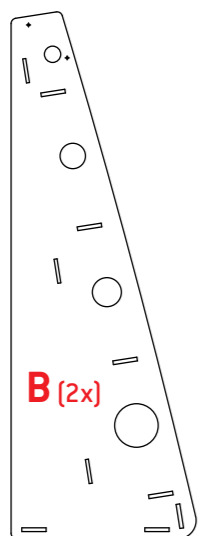
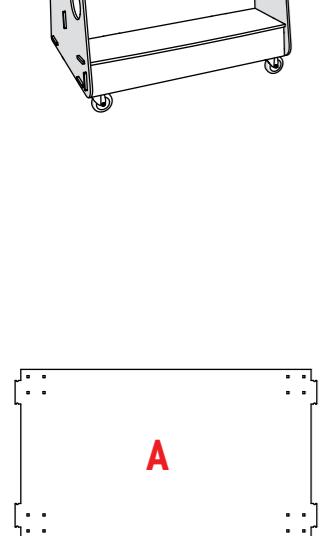
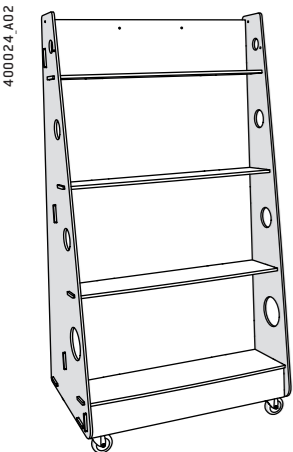
400024_A02

Mobiler Bookshop

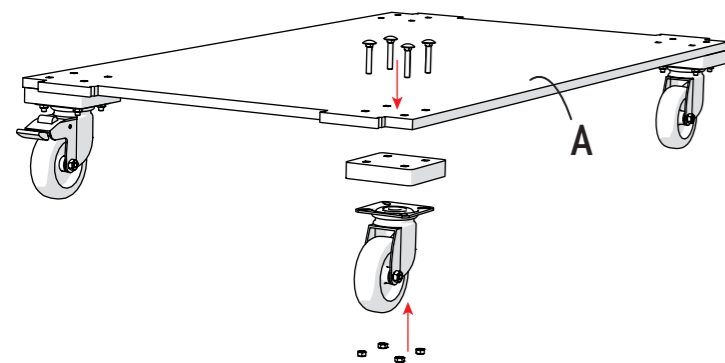
MB 8004 | 4 Fächer, beit



MONTAGEANLEITUNG / ASSEMBLY INSTRUCTION / INSTRUCTION DE MONTAGE
MONTAGE INSTRUCTIE / (스ツ 冊) の組み立て方

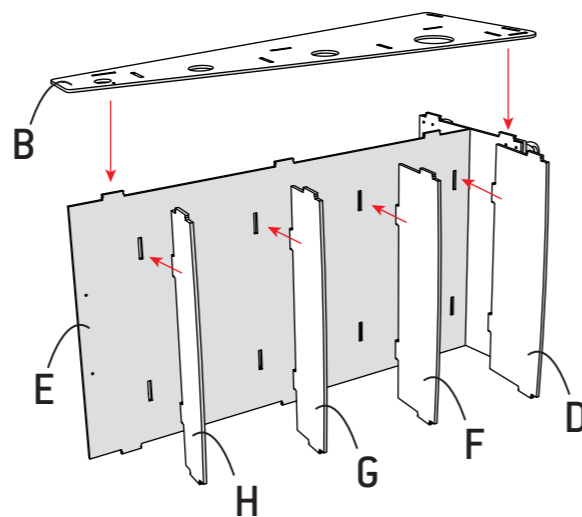


1.



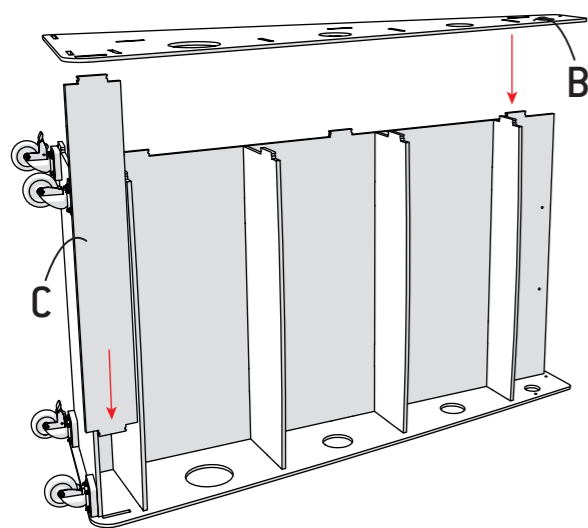
A + 2x [Caster] + 2x [Swivel Caster] + 4x [Spacer] + 16x [Screw]

2.



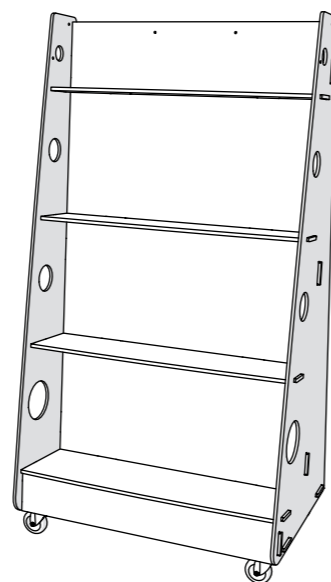
+ E + D + F + G + H + B + 17x O

3.



+ C + B + 11x O

4.



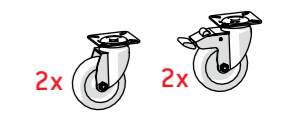
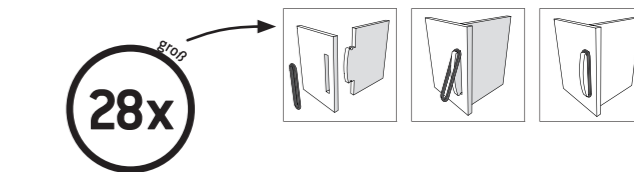
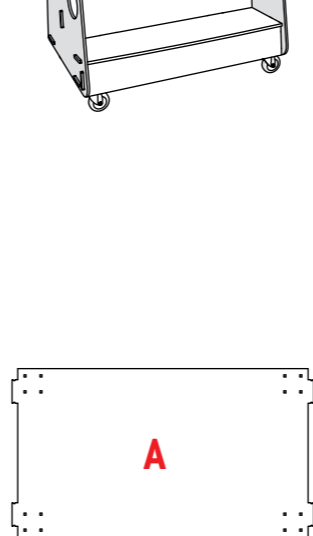
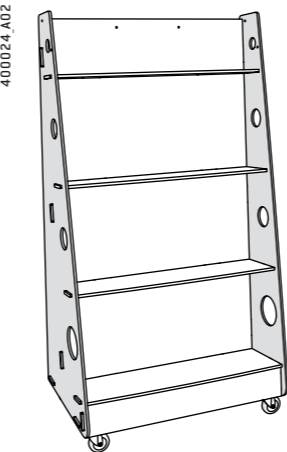
400024_A02

Mobiler Bookshop

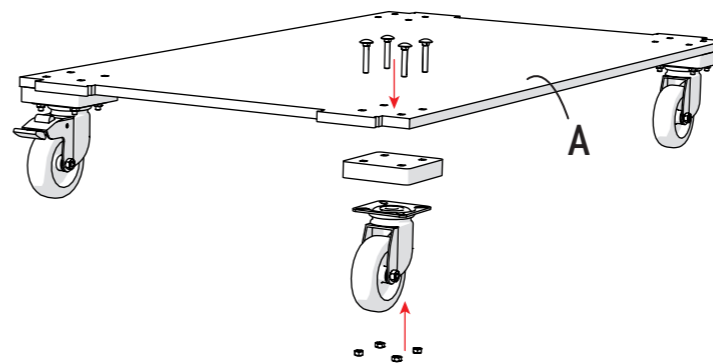
MB 8004 | 4 Fächer, beit



MONTAGEANLEITUNG / ASSEMBLY INSTRUCTION / INSTRUCTION DE MONTAGE
MONTAGE INSTRUCTIE / (스ツ 冊) の組み立て方

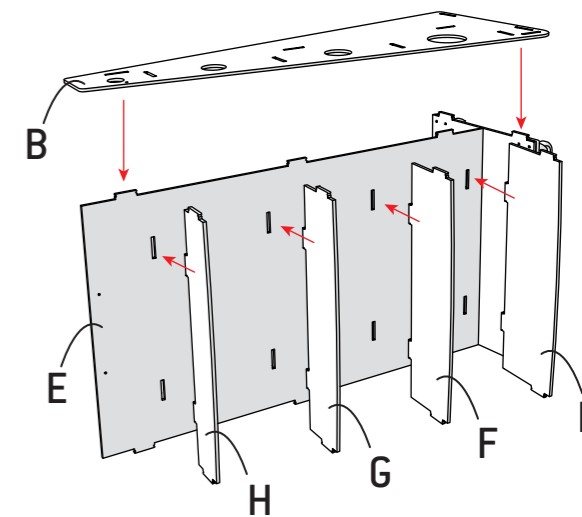


1.



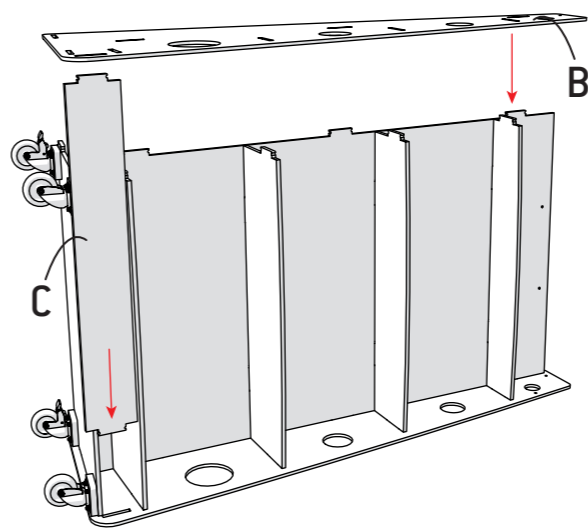
A + 2x [Caster] + 2x [Swivel Caster] + 4x [Spacer] + 16x [Screw]

2.



+ E + D + F + G + H + B + 17x O

3.



+ C + B + 11x O

4.

