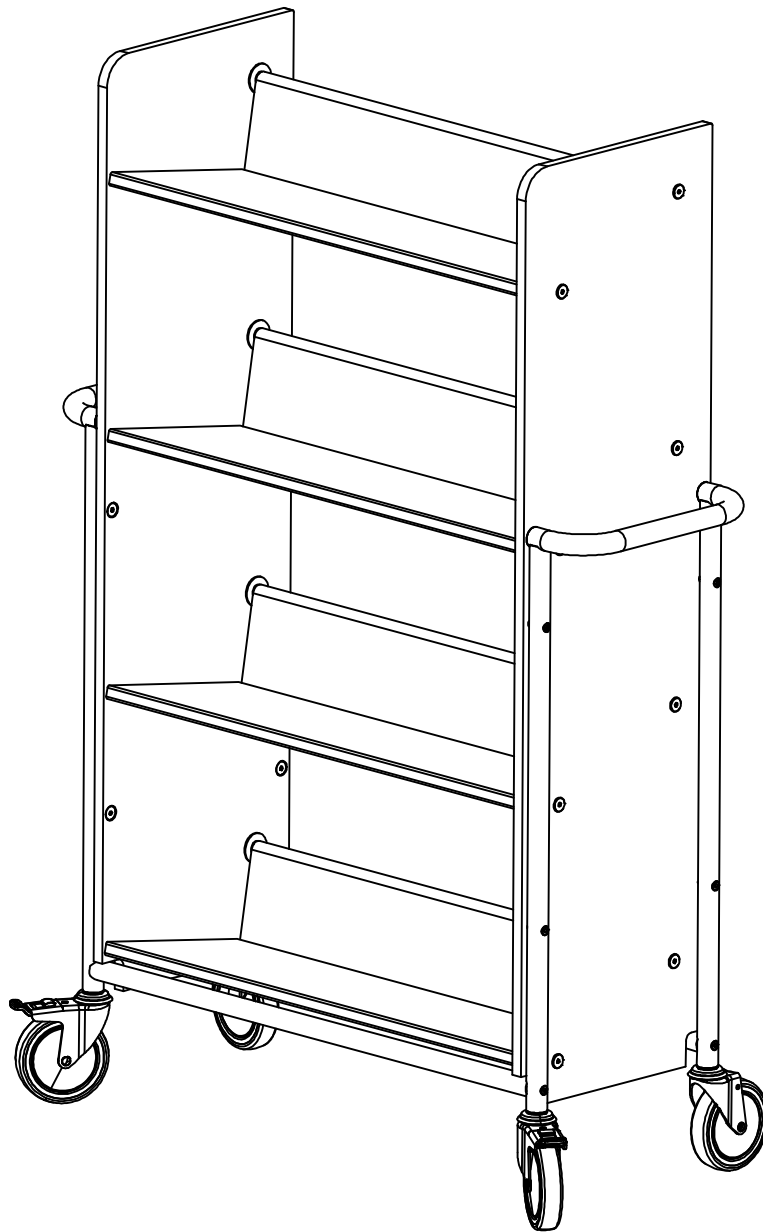


Assembly Guide

Öland XL Plus - E4572,E4573



First check the contents to make sure that nothing is missing. Sort out the screws and fittings as shown.
Assemble your furniture step by step, as shown in the illustrations.

