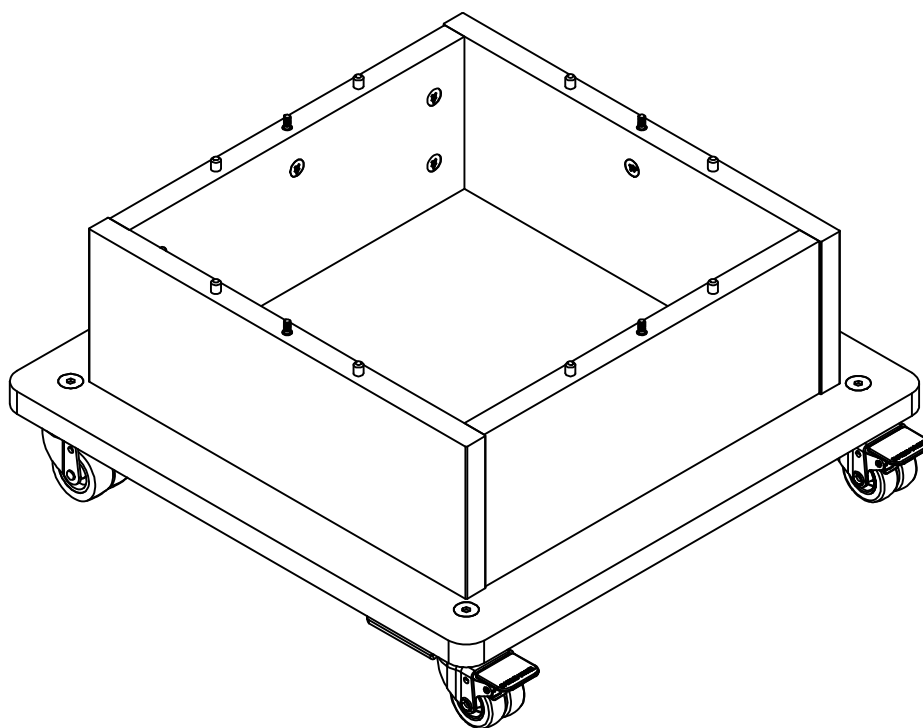


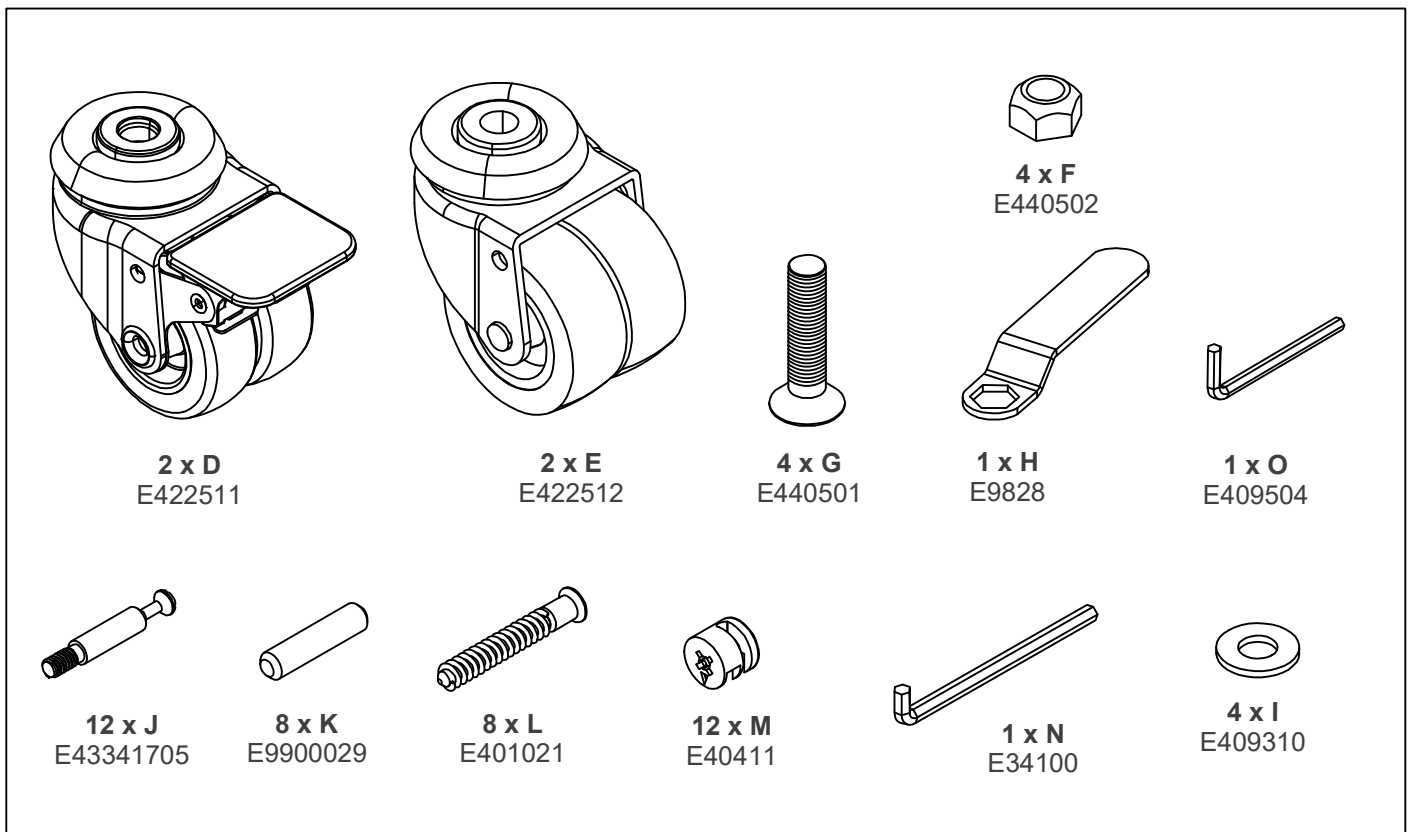
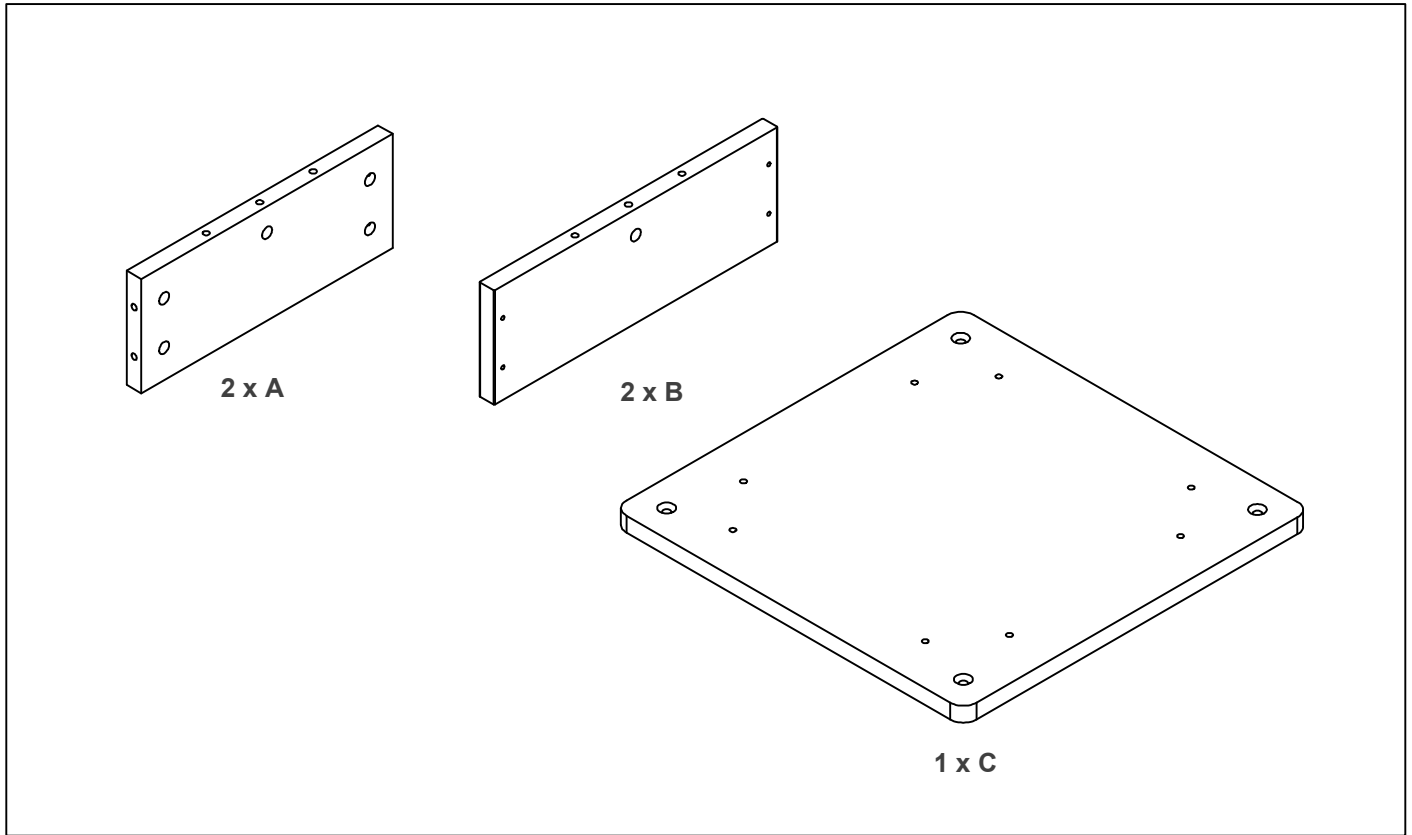
Assembly Guide

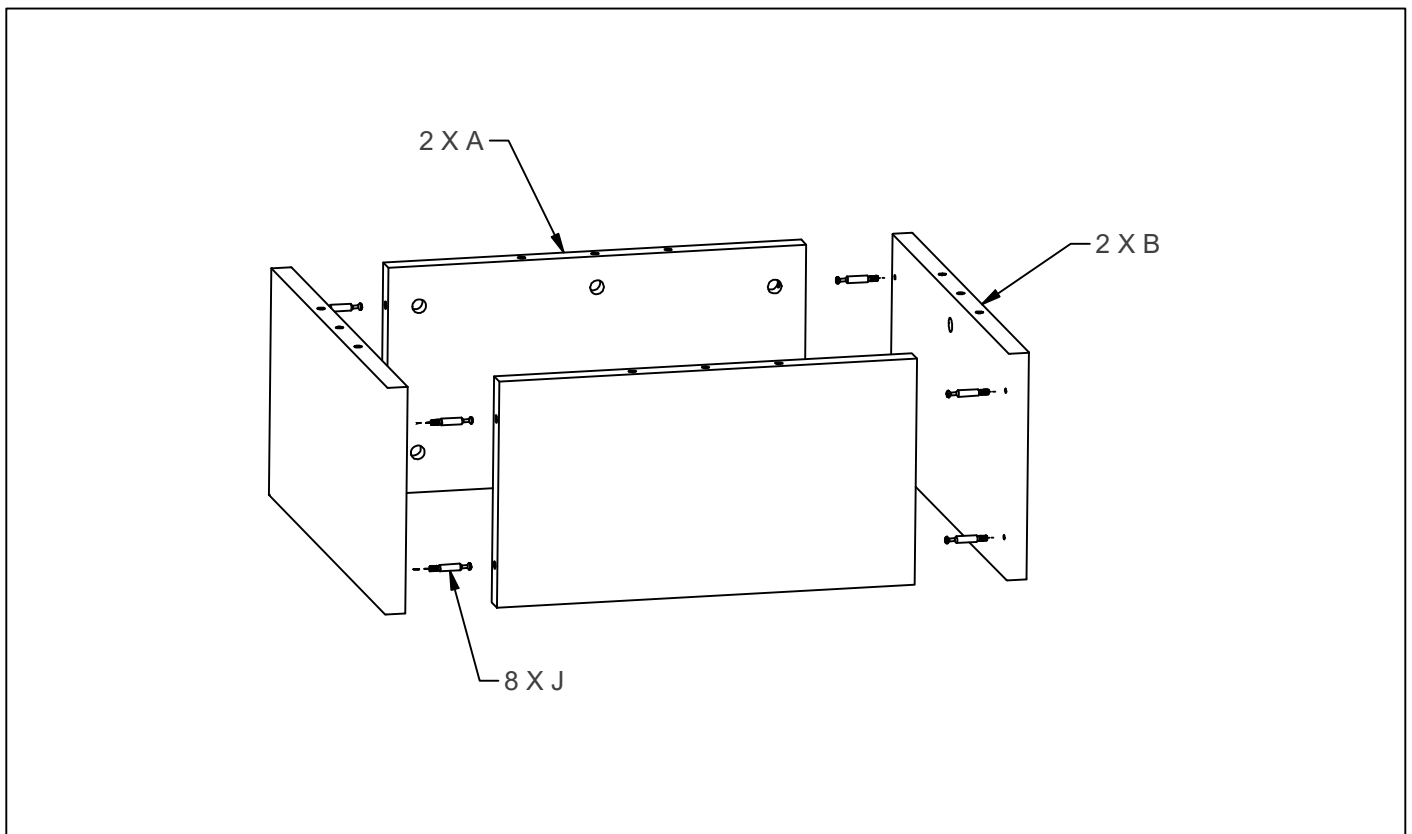
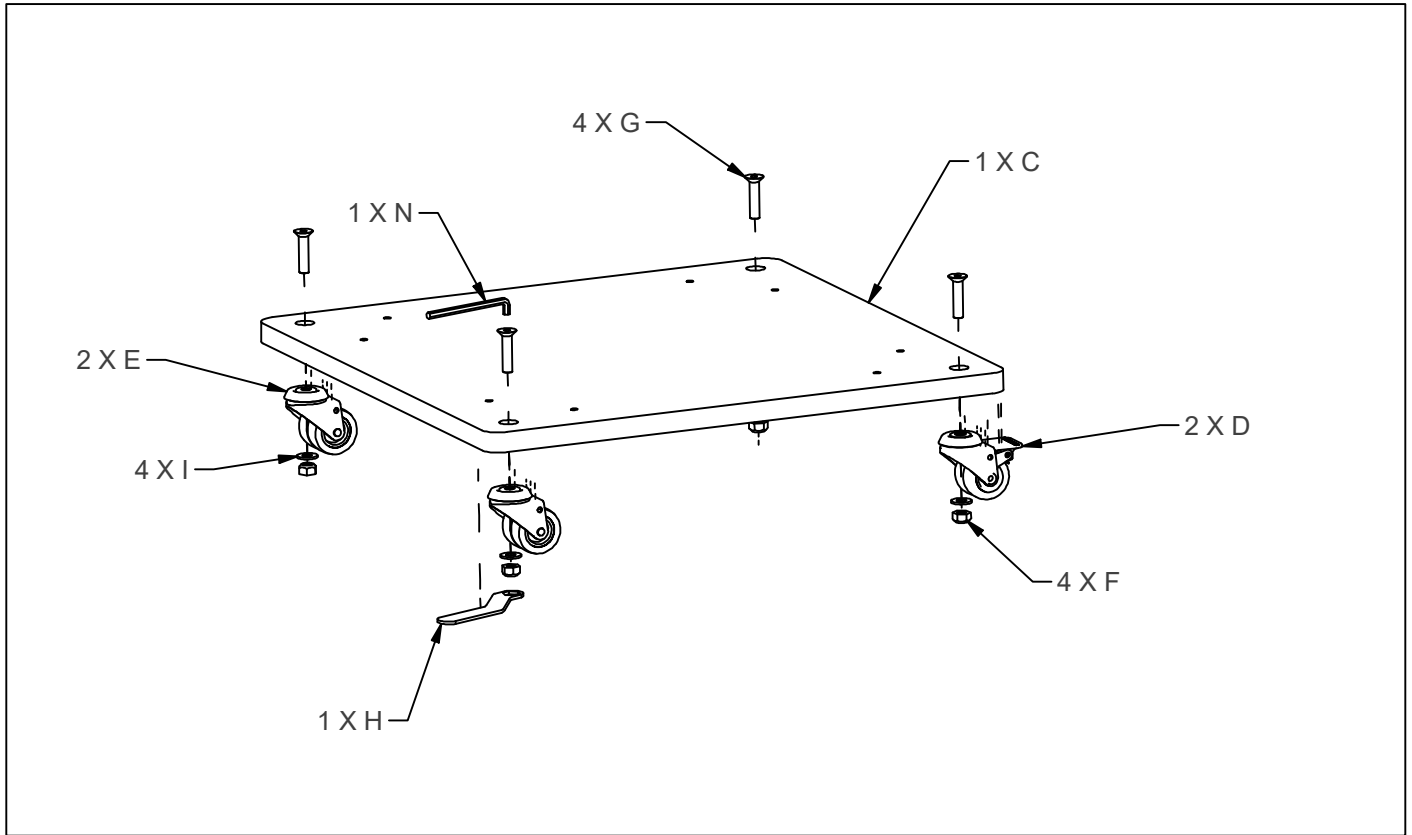
Wheelbase for book tower
E4405,E4406,E4407,E4408,E4409,E4410

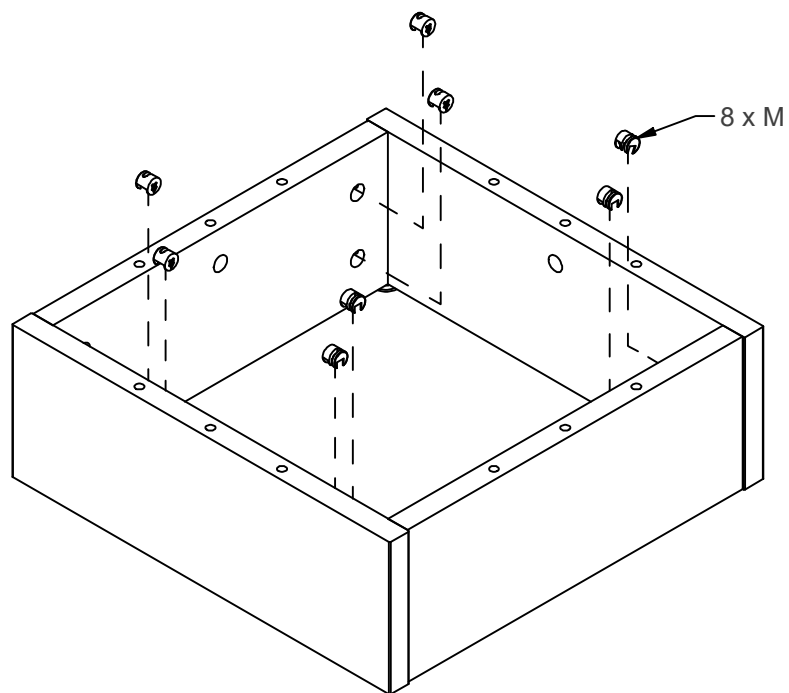


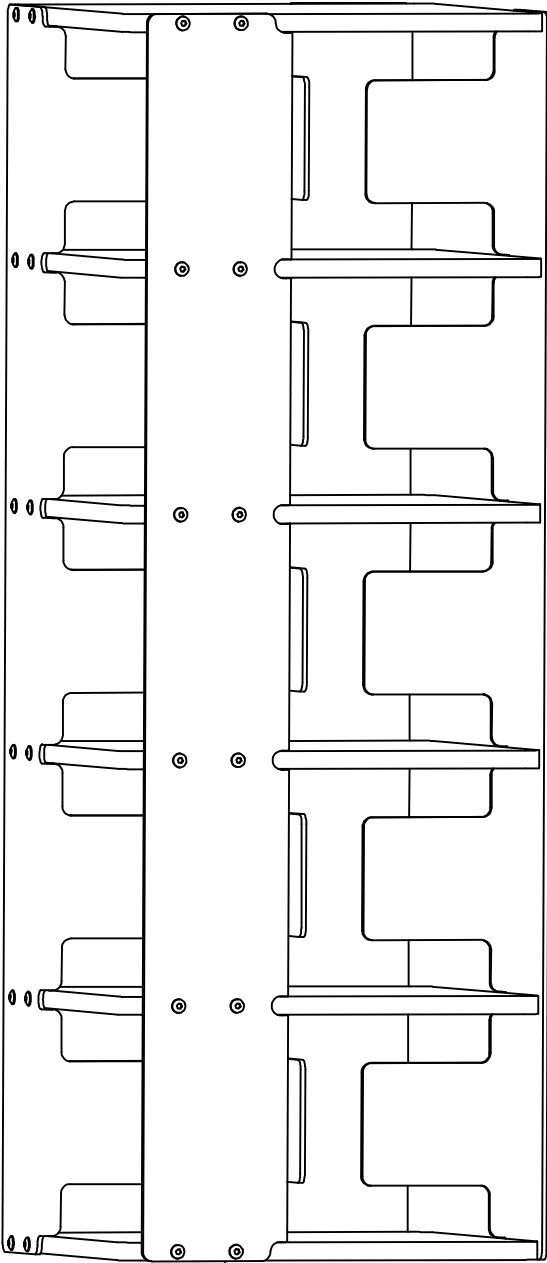
2018.12

First check the contents to make sure that nothing is missing. Sort out the screws and fittings as shown.
Assemble your furniture step by step, as shown in the illustrations.

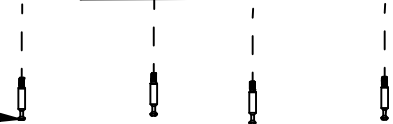


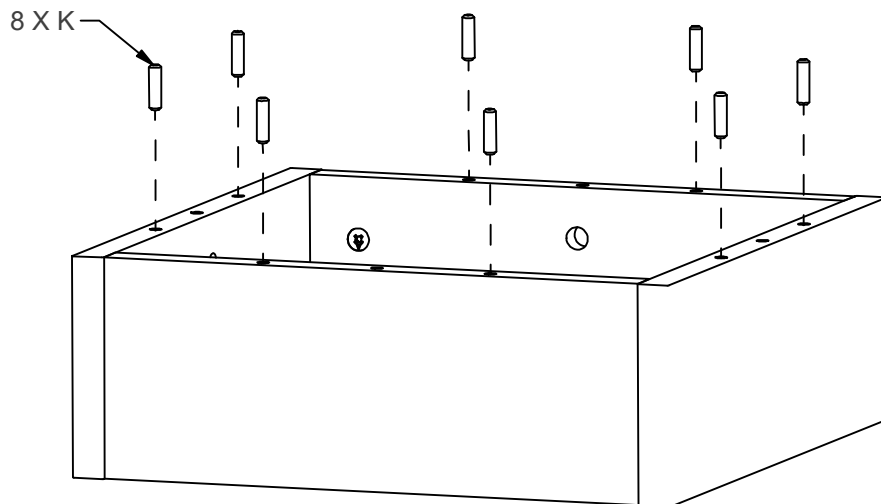


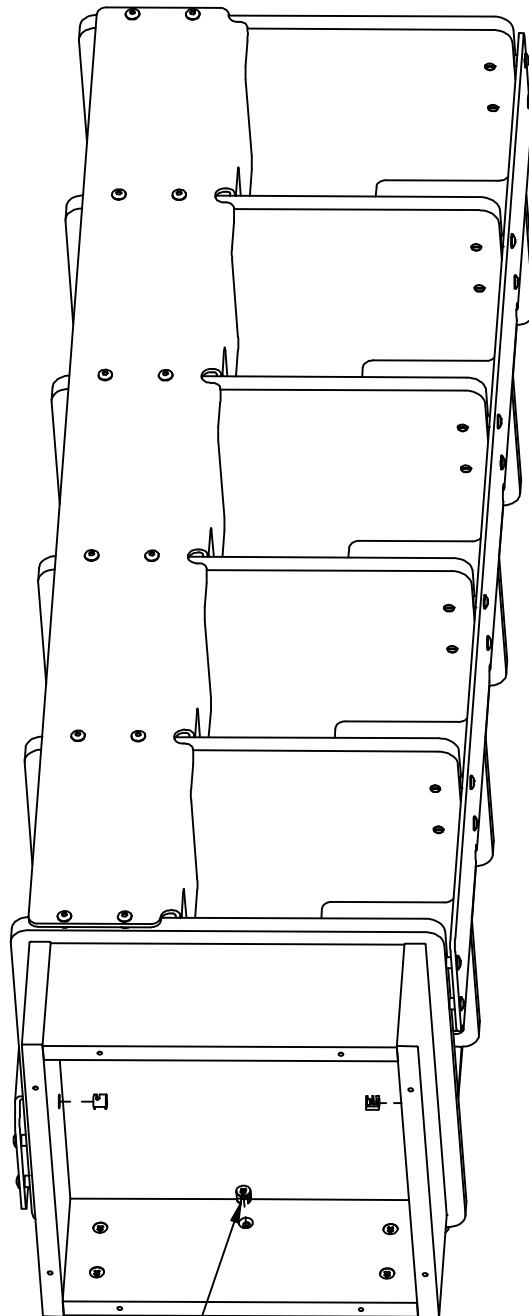




4 X J







4 X M

